



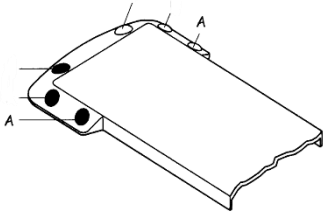
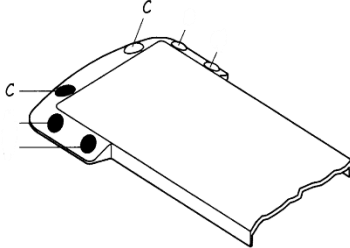
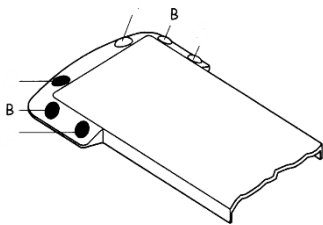


Patient chair control

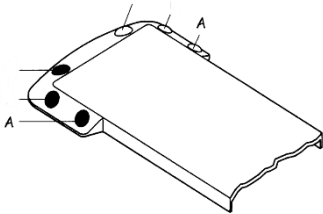
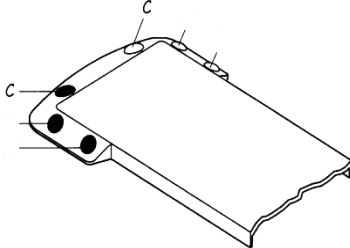
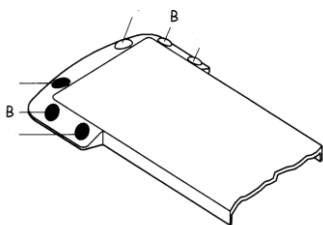
Foot Control			
Backerest down As long as pressed (manual)		Backerest up As long as pressed (manual)	
Chair down As long as pressed (manual)		Chair up As long as pressed (manual)	

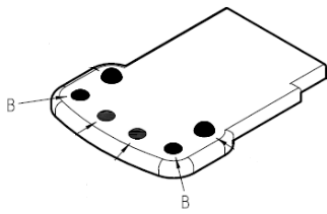
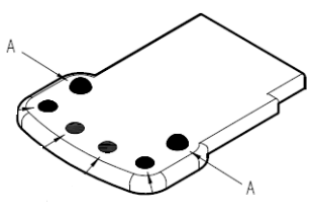
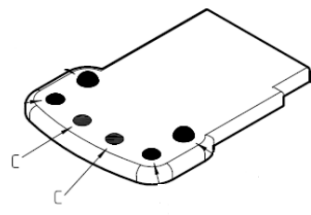
Automatic Command - Chair Platform - DENTAL UNITS: LINEA ESSE – LINEA PATAVIUM – TEMPO 9 ELX

When the chair is not in the zero reset position

Chair to autoposition (automatic)		Chair rinsing/last position (automatic)	
Memory 4 (automatic)			

When the chair is in the zero reset position

Memory 1 (automatic)		Memory 2 (automatic)	
Memory 3 (automatic)			

Automatic Command - Chair Platform – <u>DENTAL UNITS: VIRTUOSUS CLASSIC , PUNTO KART, CARVING PLUS AND UNIVERSAL ML</u>	
<p>Recall the memory that was previously activated (automatic)</p> 	<p>Chair to autoposition (automatic)</p> 
<p>Chair rinsing/last position (automatic)</p> 	

Programming

Control panel
<p><u>Patient chair setting</u></p> <p>To memorize a position: move the chair manually up to the desired position (using the manual controls); then press and hold the button of the memory that you want to save until you hear the confirming beep.</p>